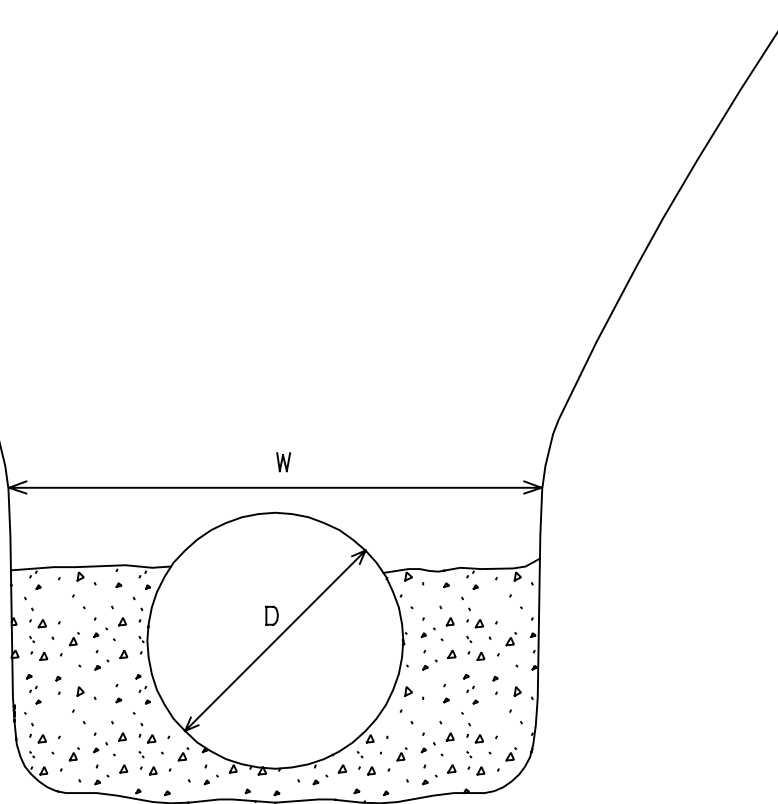


W = TRENCH BACKFILL PAY WIDTH

GRANULAR TRENCH BACKFILL UNDER PAVEMENT, CURB AND GUTTER, OR SIDEWALK. EXCAVATED MATERIAL IN ALL OTHER PLACES



PIPE SIZE	PAY WIDTH
6	3'-2"
8	3'-2"
10	3'-2"
12	3'-4"
15	3'-6"
18	3'-10"
21	4'-4"
24	4'-8"
27	4'-11"
30	5'-3"
33	6'-0"
36	6'-4"

SCALE = N.T.S.

**MAINE TOWNSHIP HIGHWAY  
DEPARTMENT**

**TRENCH BACKFILL PAY WIDTH**



**REVISIONS**
